

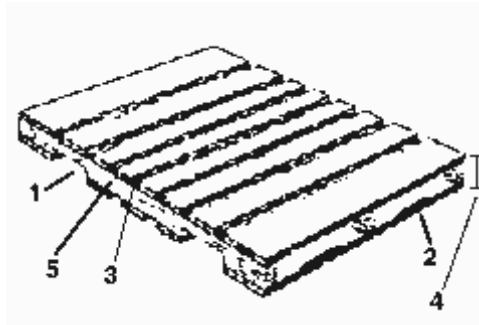


# Quebec Pallet and Container Manufacturers Association

## Products

- **Mission of the AMPCQ**
- **Products**
- **Manufacturing**
- **Events**
- **Corporate News**
- **Regular members**
- **Associated members**
- **Related associations and organizations**
- **To contact us**

### Stringer Pallet



[Enlargement](#)

#### Definitions of Terms

**1- Arch, undercut, notch**

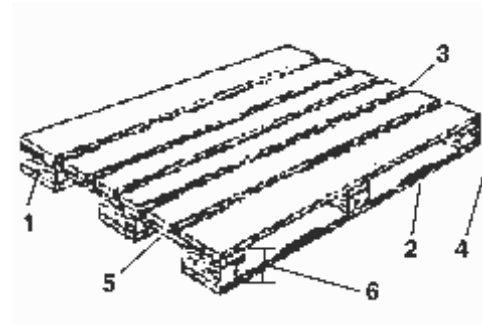
Openings over the bottom surface of the stringers through which are inserted lift truck forks.

**2- Chamfer**

Half-beveled cut on one or two sides of the plank in order to facilitate pallet truck wheels entry.

**3- Floor space, distance or gap**

### Block Pallet



[Enlargement](#)

#### Definitions of Terms

**1- Block**

Rectangular, square or cylindrical retracting piece located between the stringer and the bottom deckboard.

**2- Chamfer**

Half-beveled cut on one or two sides of the plank in order to facilitate pallet truck wheels entry.

**3- Floor space, gap between**

**between planks**

Distance between two adjacent planks.

**4- Overall height**

Vertical distance between the face of the top deckboard and the underside of the bottom deckboard.

**5- Stringer, girder, sleeper**

Pieces of wood to which are secured and nailed bridge planks. They separate the top deckboard from the bottom deckboard and leave space to insert pallet truck or lift equipment forks.

**planks**

Distance between two adjacent planks.

**4- Overall height**

Vertical distance between the face of the top deckboard and the underside of the bottom deckboard.

**5- Stringer**

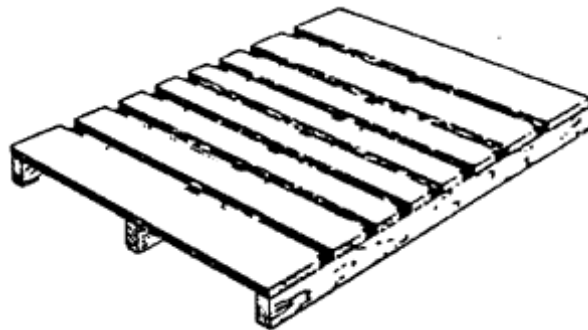
Pieces of wood nailed to blocks and to which are secured and nailed top bridge planks.

**6- Opening**

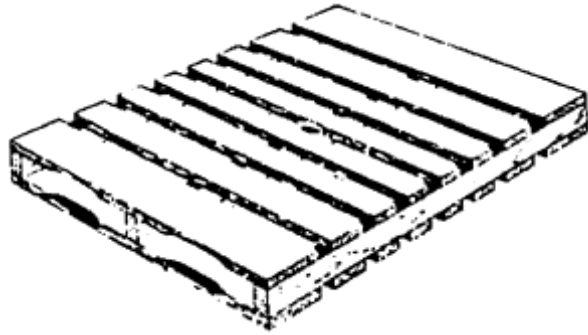
Distance measured between top and bottom deckboards or between the ground and the stringer.

---

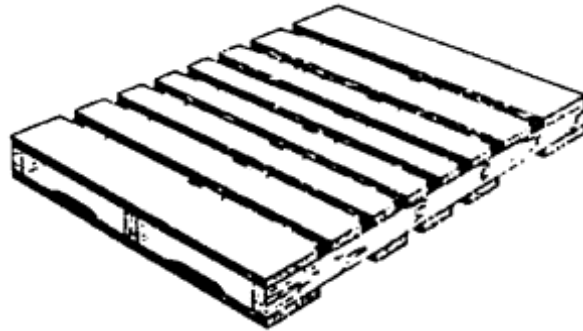
## Types and Designations



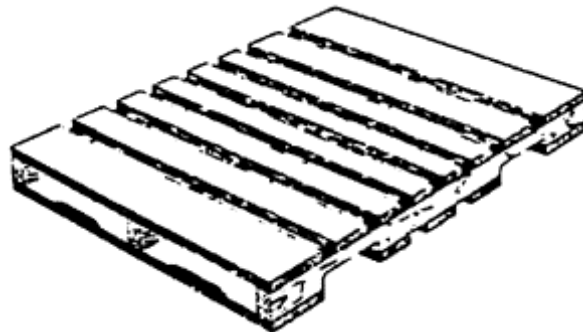
*1- Single-Decked Pallet  
with 2 Entries*



*2- Reversible Pallet*

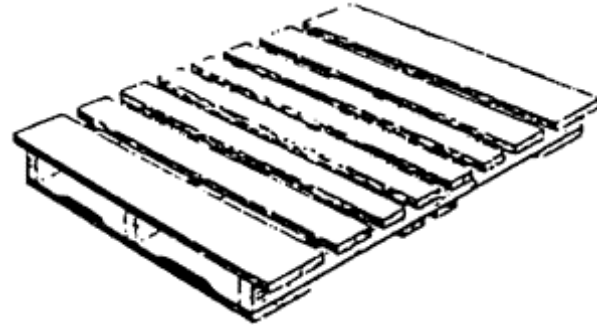
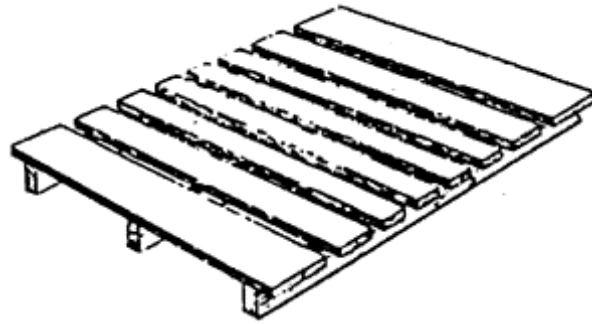


*3- Double-Decked Pallet  
With 2 Entries*

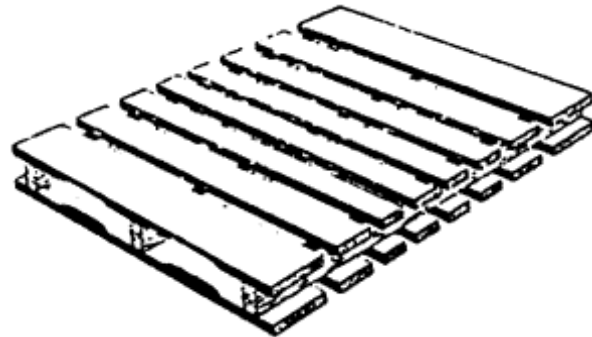


*4- Double Bridge Pallet  
with 4 Entries*

*5- Single Bridge Wing  
Pallet*

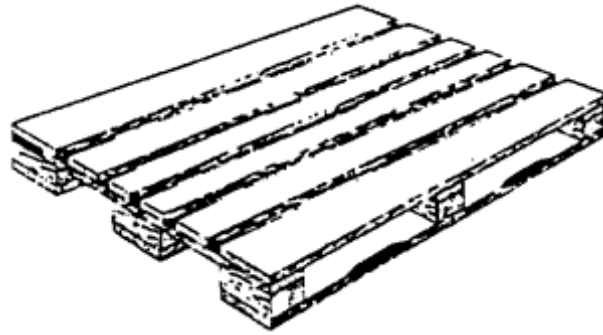


*6- Double Bridge Wing Pallet*



*7- Reversible Wing Pallet*

*8- Block Pallet*



---

[Mission](#) - [Products](#) - [Manufacturing](#) - [Events](#)  
[Corporate News](#) - [Regular members](#) - [Associated members](#)  
[Related associations and organizations](#) - [To contact us](#)

---

©AMPCQ 2000